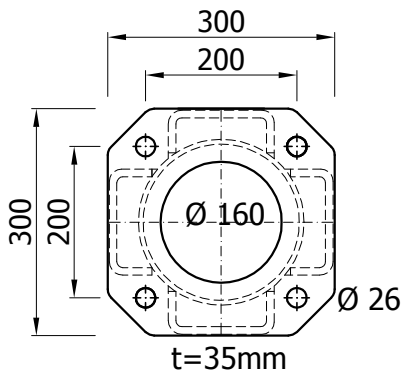




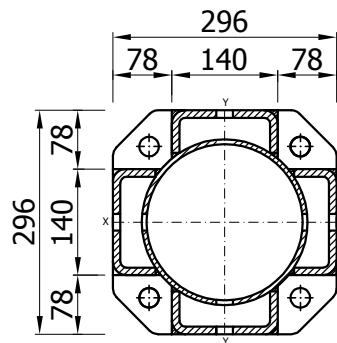
MegaSteel Profil MSt-E

Specifications	
Max. capacity	2000 kN
Steel quality	S355
Cross section area	11`532mm ²
I _x	99.076 x 10 ⁶ mm ⁴
I _y	99.076 x 10 ⁶ mm ⁴
Self weight	~1.15 kN/m`

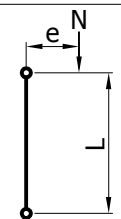
End plate



Typical section



Eccentricity	Allowable working load* N (kN)							
	Effective length L							
	1m	3m	5m	7m	9m	12m	15m	18m
e=10	2220	1920	1520	1100	780	490	330	220
e=25	1820	1540	1200	860	620	390	260	190
e=50	1410	1180	920	660	470	290	200	140



* with a considered safety factor 1.5