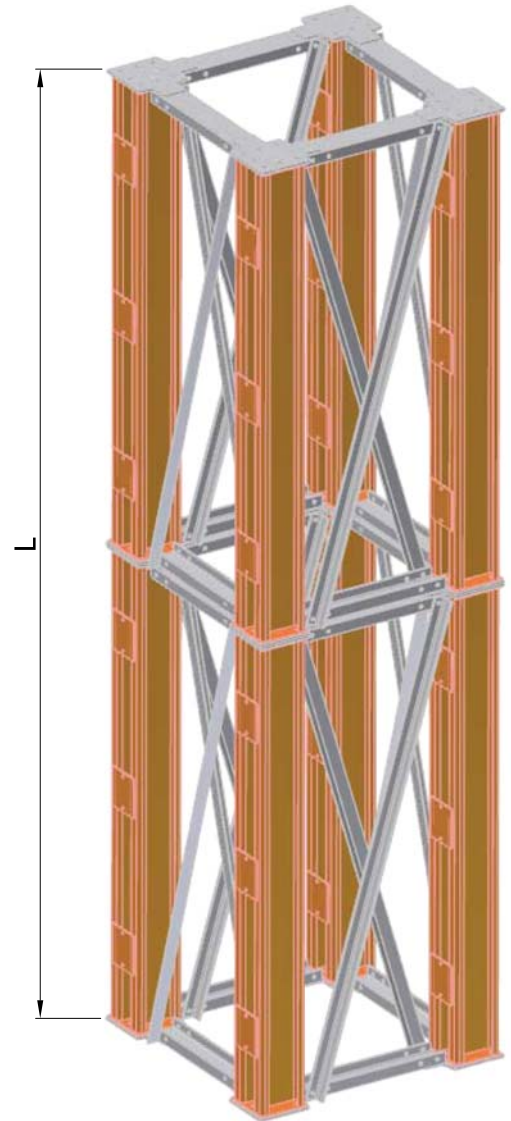
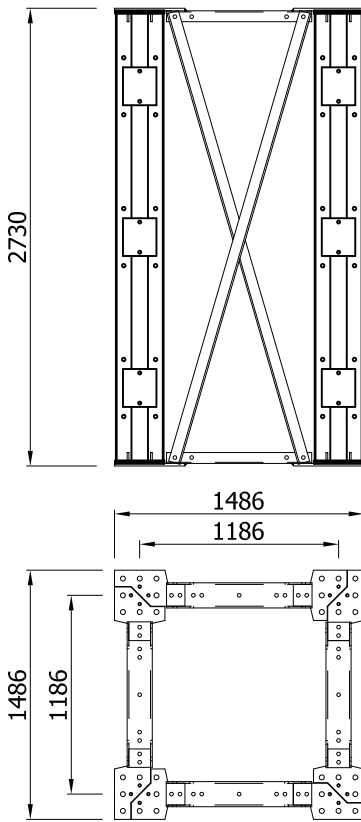




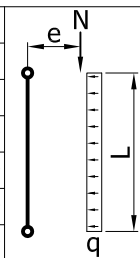
MegaSteel Tower MS (Profile A)

Technical Data

Capacity: 4000 kN
 Center distance: 1186 x 1186 mm
 Height: 2730 mm
 Bracing: L-Profile
 Weight: 1040 kg



Allowable working load* N (kN) with profile A								
Eccentricity	Effective Length L							
	3m	8m	12m	15m	20m	25m	30m	40m
e=10	4000	4000	4000	4000	4000	3670	3250	2960
e=25	4000	4000	4000	4000	3830	3470	3080	2260
e=50	4000	4000	3970	3810	3520	3180	2830	2100
e=100	3560	3520	3400	3260	3020	2750	2470	1180



* with a considered wind jam pressure q of 1.0kN/m^2 and a safety factor of 1.5