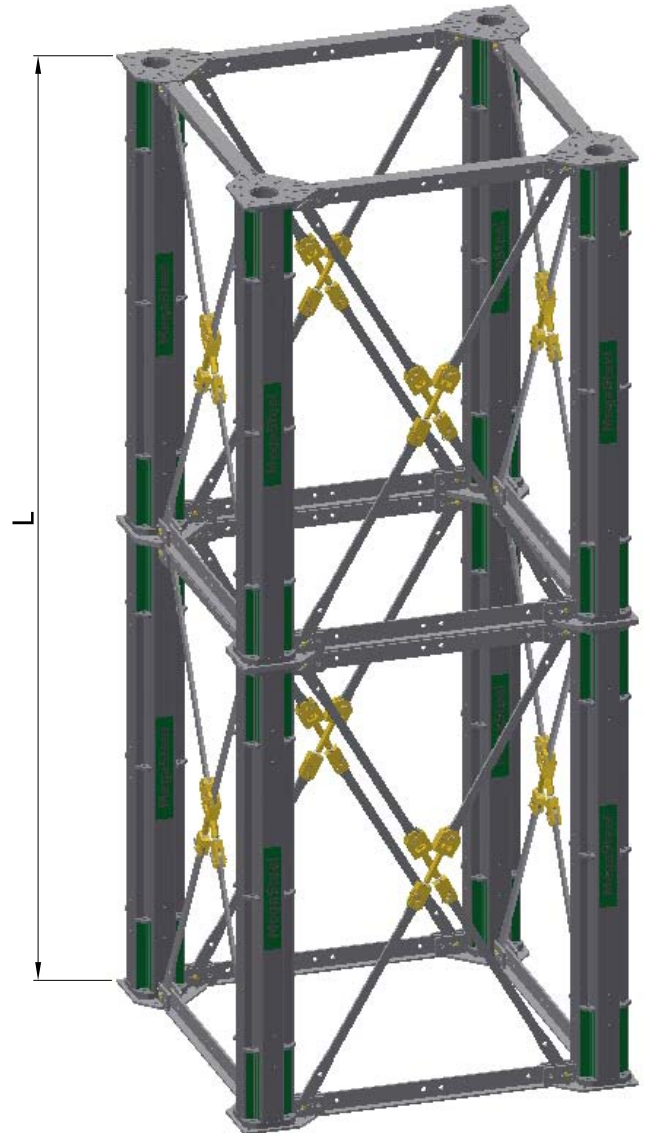
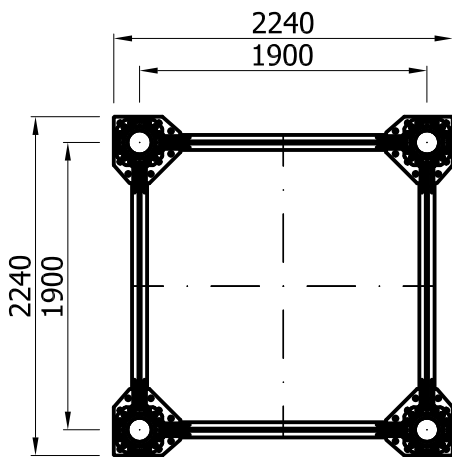
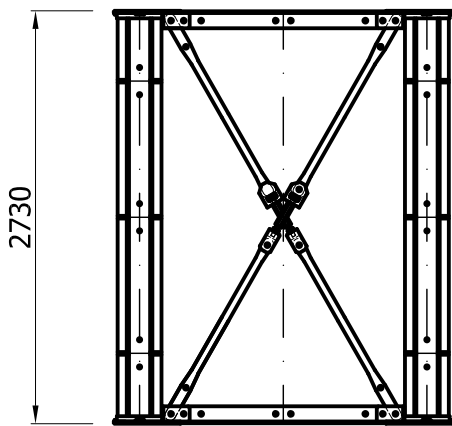




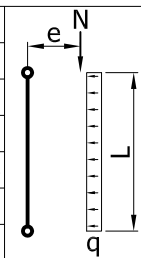
MegaSteel Tower MSt (Profile E)

Technical Data

Capacity:	7000 kN
Center distance:	1900 x 1900 mm
Height:	2730 mm
Bracing:	Tightener
Weight:	2020 kg



Allowable working load* N (kN) with profile E								
Eccentricity	Effective Length L							
	3m	8m	12m	15m	20m	25m	30m	40m
e=10	6840	6800	6740	6680	6550	6380	5480	2980
e=25	6730	6690	6640	6570	6450	6280	5350	2926
e=50	6570	6530	6470	6410	6280	6110	5160	2830
e=100	6250	6210	6150	6090	5960	5800	4820	2670



* with a considered wind jam pressure q of 1.0kN/m^2 and a safety factor of 1.5